

STANDARD VERSION
PHOTOELECTRIC BEAM SENSOR

- **PRO-10A** : Outdoor 10m / Indoor 20m
- **PRO-30A** : Outdoor 30m / Indoor 60m
- **PRO-60A** : Outdoor 60m / Indoor 120m



SensorPro-10A/30A/60A are the best choice for easy operation and reliable performance at attractive price.

SensorPro presents a new standard version, SensorPro-10A/30A/60A are ideal product with high quality and reasonable cost.

The advanced mechanical design allows for easy installation and quick optical alignment, especially, the high grade aspherical lens provides powerful twin beam for greater stability and higher reliability.

FEATURES

Powerful and Reliable Twin Beam Sensor

Twin synchronized pulsed beams reduce false alarms caused by a bird and falling leaves.

Against Salty Air and High Humidity

The Pro-Alpha is coated by Silicon Varnish Spray to protect PCB's rust from salty air and humidity.

Excellent External Light Immunity

Technical synthetic dyes shut out a visible ray caused by sunlight around dawn and/or dusk, automobile headlights and other light sources.

Easy Beam Alignment

The rotating dial allows the installer to finely adjust the beam easily either horizontally ($180^{\circ} \pm 90^{\circ}$) or vertically ($20^{\circ} \pm 10^{\circ}$) with or without the use of a screwdriver.

Against Frost & Dew

An anti-frost and convex visor design is incorporated to protect the detector from effect of frost & dew. The lapped & polished cover by super precision machine keep from "Ice & dewdrop is formed on the cover".

The Maximum Distance 10 Times

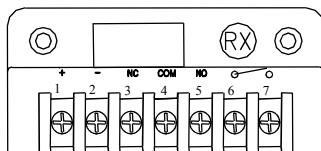
It reach 10 times of the detection range for Pro-10A, Pro-30A and Pro-60A

SPECIFICATIONS

| Model | PRO-10A | PRO-30A | PRO-60A |
|---------------------|--|----------------------|-----------------------|
| Protection distance | Outdoor : 10m(40ft.) | Outdoor :30m(100ft.) | Outdoor : 60m(200ft.) |
| Detection method | Twin synchronized pulsed beams | | |
| Beam characteristic | Pulsed infrared | | |
| Response time | 50 ~ 500 mS | | |
| Supply voltage | 10 ~ 24 V (Non-polarity) | | |
| LED | Tx : Greed LED(Power), Rx : Green LED(GOOD) / Red LED(Alarm) | | |
| AGC voltage | Alarm:2.0V under, Ready:2.1~2.9V, Good:3.0V over | | |
| Current consumption | Rx : 24mA, Tx : 24mA (Max.) | | |
| Alarm output | Dry contact relay output 1C (COM, NC, NO) Reset : Interruption time + off-relay (Approx. 1 sec) | | |
| Temperature | -25°C ~ 60°C | | |
| Tamper output | Dry contact, Micro SW (COM, NC) | | |
| Beam adjustment | Horizontal : $180^{\circ} (\pm 90^{\circ})$, Vertical : $20^{\circ} (\pm 10^{\circ})$ | | |
| Mounting position | For wall/pole, indoor or outdoor | | |
| Weight | Transmitter : 330g, Receiver : 340g | | |
| Option | Pole bracket(model no.PM11) | | |

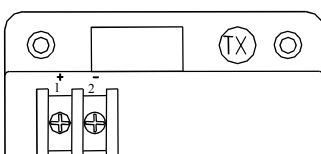
TERMINALS

Receiver



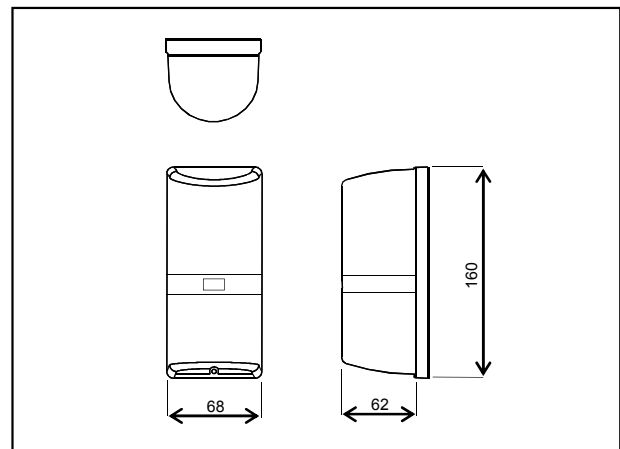
1. VCC : DC10~24V
2. GND
3. Normal Close
4. Common
5. Normal Open
6. Tamper
7. Tamper

Transmitter



1. VCC : DC10~24V
2. GND

DIMENSIONS



*Note: This unit is designed to detect an intruder and active an alarm control panel. Being only a part of a complete system, we cannot assume responsibility for theft or damages, should it occur.

*Caution : Please consult the instruction manual to ensure safe and proper operation of the product. Specification and design are subject to change without prior notice for improvement.

*FAQ & Inquiry : sensor.pro@sensor.pro.co.kr