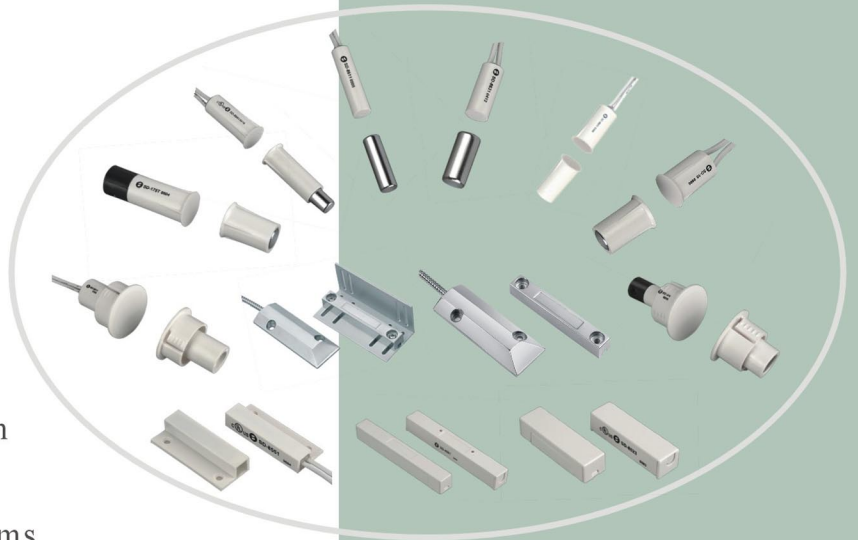


**PROFESSIONAL SECURITY PRODUCTS**

# MAGNETIC CONTACTS



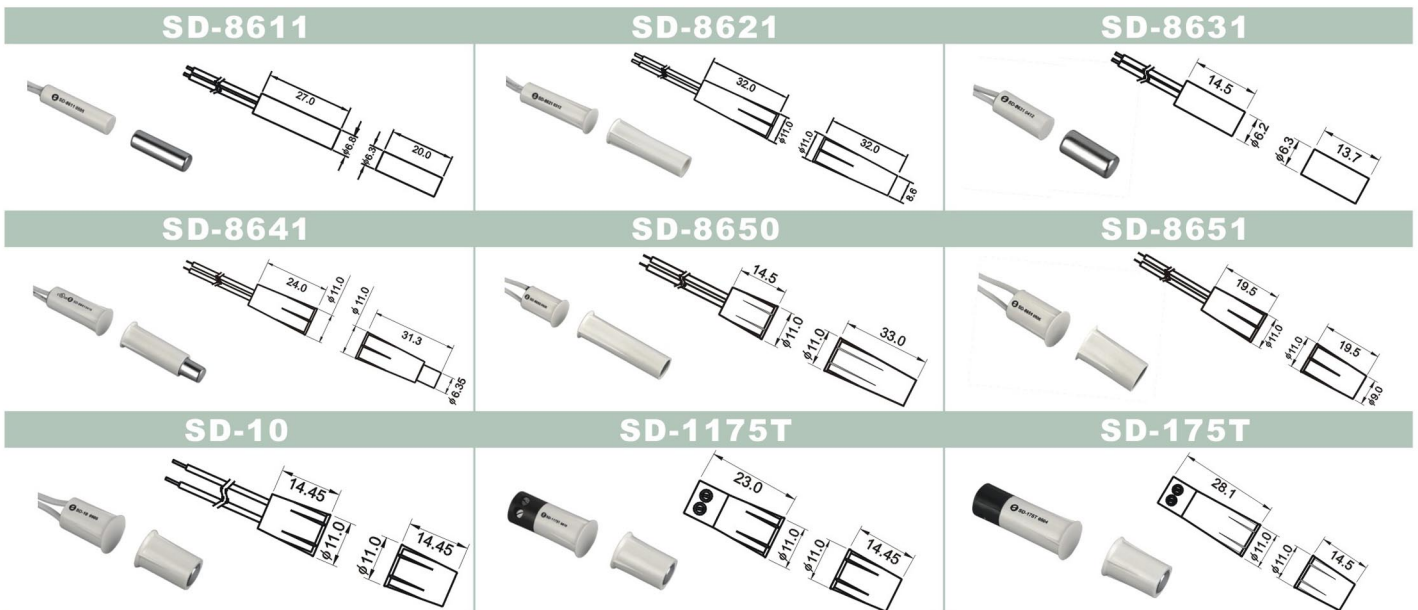
- ▶ Lifetime Performance Guarantee
- ▶ Crash/Impact Enhanced Construction
- ▶ All UL Grade Materials
- ▶ Value Pricing and Distributor Programs
- ▶ Large Sensing Distance
- ▶ Professional Grade (Japan) Reed Switches
- ▶ Wide Range of Color/Wire Options
- ▶ 4 Wire and High Security Designs Optional
- ▶ Custom Configurations and Designs
- ▶ OEM Designs and Packaging Available



CCC CE cUL US ISO9001

# Advanced Security Sensors and Solutions

## Press Fit



Model Number	Switch Rating	Resistance	Gap	Wiring
SD-8611	28V@1.0A	0.3Ω Max	19mm	450mm/AWG#22 Wire
SD-8621	28V@1.0A	0.3Ω Max	19mm	450mm/AWG#22 Wire
SD-8631	28V@0.5A	0.3Ω Max	9mm	450mm/AWG#22 Wire
SD-8641	28V@1.0A	0.3Ω Max	26mm	330mm/AWG#22 Wire
SD-8650	28V@0.5A	0.3Ω Max	12mm	610mm/AWG#22 Wire
SD-8651	28V@1.0A	0.3Ω Max	12mm	450mm/AWG#22 Wire
SD-10	28V@0.5A	0.3Ω Max	12mm	450mm/AWG#22 Wire
SD-1175T	28V@0.5A	0.3Ω Max	9mm	Screw Terminal
SD-175T	28V@1.0A	0.3Ω Max	12mm	Screw Terminal

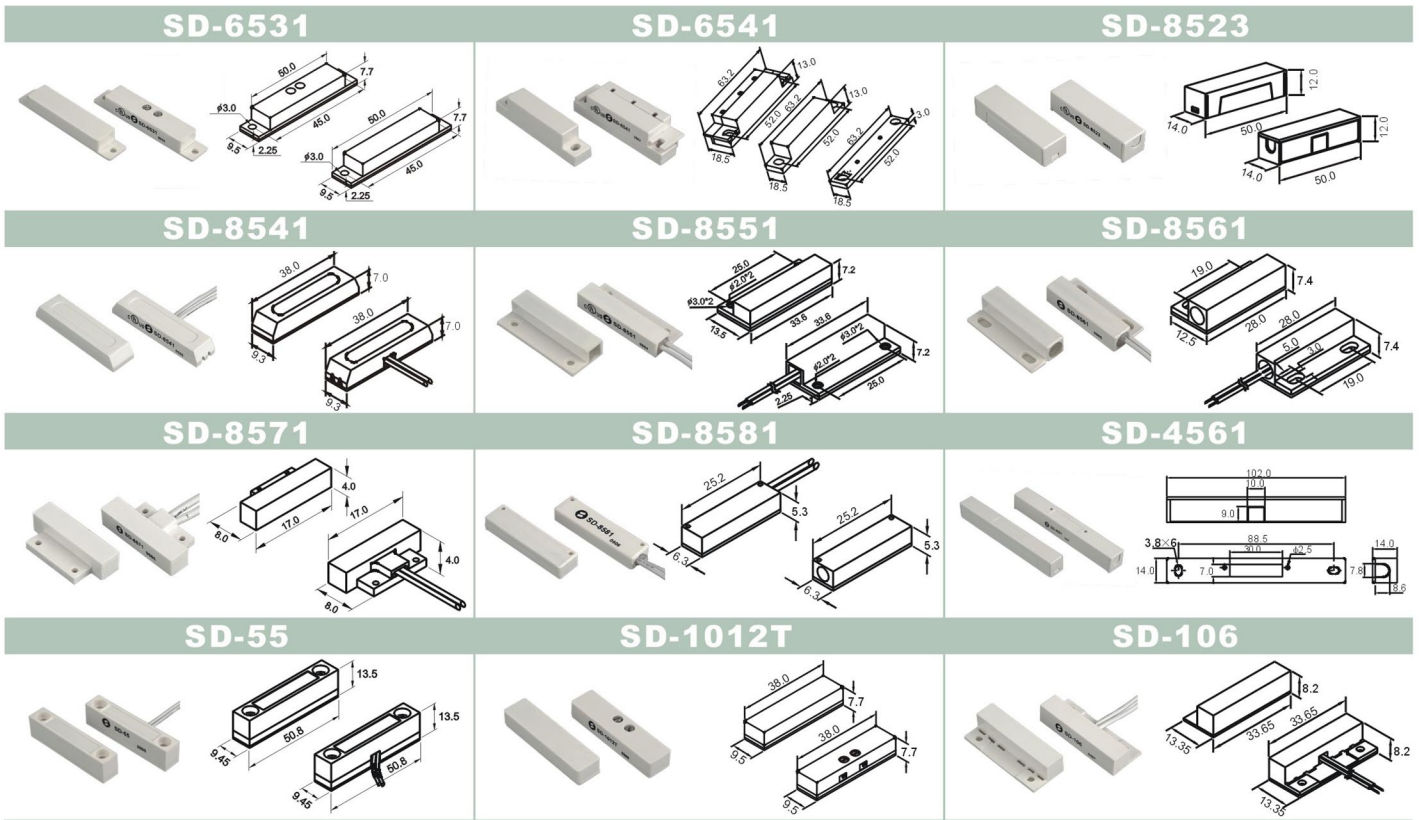
## Overhead Door



Model Number	Switch Rating	Resistance	Gap	Wiring	Mounting
SD-6023	28V@0.5A	0.3Ω Max	70mm	730mm/AWG#22 Armored Steel Cable	Screw
SD-6021	28V@0.5A	0.3Ω Max	70mm	730mm/AWG#22 Armored Steel Cable	Screw
SD-5011	28V@0.5A	0.3Ω Max	45mm	730mm/AWG#22 Armored Steel Cable	Screw

# Magnetic Contacts

## Surface Mount



Model Number	Switch Rating	Resistance	Gap	Wiring	Mounting
SD-6531	28V@1.0A	0.3Ω Max	19mm	Screw Terminal	Screw
SD-6541	28V@1.0A	0.3Ω Max	19mm	Screw Terminal	Screw
SD-8523	28V@1.0A	0.3Ω Max	19mm	Screw Terminal	Screw
SD-8541	28V@1.0A	0.3Ω Max	16mm	660mm/AWG#22 Wire	3M Adhesive Tape
SD-8551	28V@1.0A	0.3Ω Max	19mm	450mm/AWG#22 Wire	3M Adhesive Tape
SD-8561	28V@1.0A	0.3Ω Max	26mm	450mm/AWG#22 Wire	3M Adhesive Tape
SD-8571	28V@0.5A	0.3Ω Max	7mm	280mm/AWG#22 Wire	Nail
SD-8581	28V@1.0A	0.3Ω Max	7mm	450mm/AWG#22 Wire	Nail
SD-4561	28V@1.0A	0.3Ω Max	50mm	Screw Terminal	3M Adhesive Tape
SD-55	28V@1.0A	0.3Ω Max	30mm	240mm/AWG#22 Wire	3M Adhesive Tape/Screw
SD-1012T	28V@1.0A	0.3Ω Max	7mm	Screw Terminal	3M Adhesive Tape
SD-106	28V@1.0A	0.3Ω Max	22mm	450mm/AWG#22 Wire	3M Adhesive Tape/Screw

The quality of Sunwave Contacts begins with the reed switches, We feature professional grade reed switches which are twice fully screened to ensure long-term reliability and the unparalleled catch performance.

# Advanced Security Sensors and Solutions

## ● Recessed

SD-3/4		SD-8811		SD-70	
SD-RB					
Model Number	Switch Rating	Resistance	Gap	Wiring	Mounting
SD-3/4	28V@1.0A	0.3Ω Max	30mm	Screw Terminal	Recessed
SD-8811	28V@1.0A	0.3Ω Max	30mm	450mm AWG#22 Lead Wire	Recessed
SD-70	28V@0.5A	0.3Ω Max	30mm	450mm AWG#22 Lead Wire	Recessed
SD-RB	28V@1.0A	0.3Ω Max	2mm	450mm AWG#22 Lead Wire	Recessed

## ● Panic Button

PSW-1		
Model Number	Switch Rating	Resistance
PSW-1	30V@1.0A	1Ω Max



### Head Office

**SUNWAVE ELECTRONICS CO., LTD.**  
No.21 Plant, Da Wei Industrial Zone, Huang Ge  
Keng, Heng Gang Town, Shenzhen, China  
Zip 518172  
Tel +86-755-8998 3103 8998 3101  
Fax +86-755-8998 3102  
Email info@sunwave.cc

**SUNWAVE AMERICA, LLC**  
530 New Los Angeles Avenue, Suite 115-192,  
Moorpark, CA 93021, USA  
Tel +1-805-530-1481  
Fax +1-805-529-7881  
Email info@sunwave-usa.com

**SUNWAVE EUROPE COMPANY**  
ACEE Europe sp z o.o., Lopuszanska 53,  
Suite 15, 02-232 Warsaw, Poland, EU  
Tel +48-22-868-0414  
Fax +48-22-868-0413  
Email info@sunwave-europe.com