

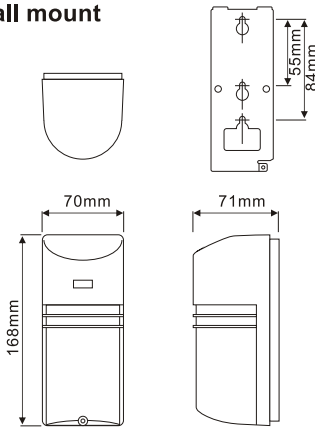
## Features:

1. Powerful and reliable twin beam detector.
2. Easy optical alignment with LED indication.
  - ⊙7-level LED indicator which can be checked the beam strength easily.
  - ⊙Highly accurate alignment with no need to use a voltmeter.
  - ⊙No need for beam blocking plate.
3. Double modulation synchro-twin beam (20KHz/500Hz).
4. Adjustable beam interruption period (50-700msec).
5. Lighting & surge protection. Automatic gain control circuit.
6. Form C relay providing more applications.
7. Anti-Frost design.
8. IP rating up to 66, made possible by the high-sealing silicone rubber packing.

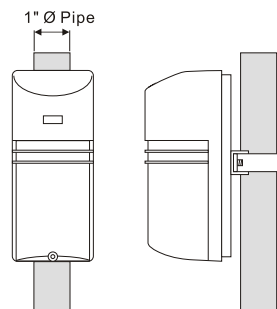


## Dimensions

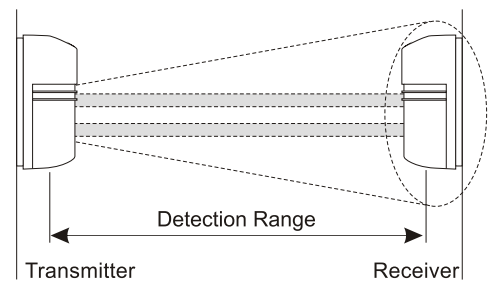
### Wall mount



### Pole mount



## Detection Range



LK-20HD	LK-35HD	LK-70HD	LK-90HD
20m	35m	70m	90m

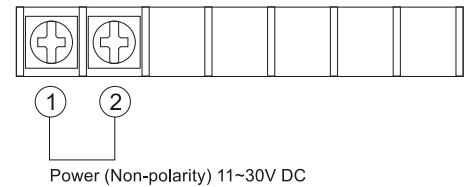
## Specification

MODEL	LK-20HD	LK-35HD	LK-70HD	LK-90HD
Coverage outdoor use	20m	35m	70m	90m
Detection method	Pulse infrared 20KHz/500Hz double modulation			
Interruption period	50~700 msec (variable)			
Power input	11~30VDC (no polarity)			
Power Consumption (at 12VDC input)	45 mA	55 mA	60 mA	70 mA
Indication LED	Power LED: GREEN LED(transmitter) ALARM LED: RED LED (receiver) BEAM alignment level LED: 2 RED LEDS (receiver)			
Alarm duration	1 ± 0.5 Sec (nominal)			
Relay output	From C relay, dry contact 1A/120VAC, 2A/24VDC (resistor load)			
Tamper	Opens when cover is removed (1A/120VAC)			
IP rating	IP66			
Alignment angle	Vertical 20° (±10°), Horizontal 180° (±90°)			
Mounting	Wall mount or pole mount			
Operation Temperature	-25°C ~ +55°C			
Weight	690g			
Accessories	Tapping screw (4pcs), Metal mounting bracket (2pcs)			

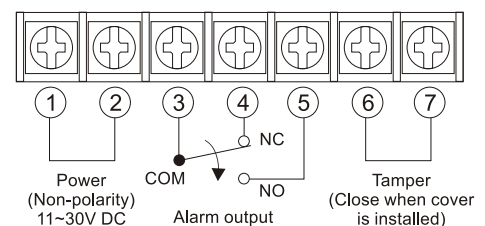
■ The specification are subject to change without notice.

## Terminals

### Transmitter



### Receiver



### ■ Option Parts: (For Pole mounting)

U-clamp x 2 pcs, Mounting hook x 2 pcs, Screw(4Øx12) x 4pcs