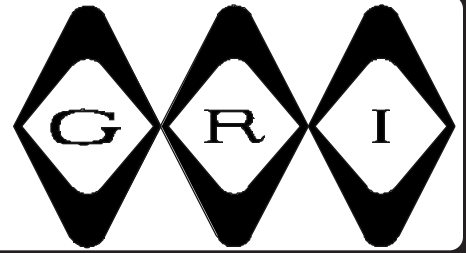


SPECIAL PURPOSE PULL APART SWITCH SET



4704/4714 SERIES

- ◆ Pull Apart Surface Mount Reed Switch
- ◆ Great For Marinas - Truck Docks - Any Portable Merchandise
 - ◆ Heavy Duty 4714 Series For Improved Durability
 - ◆ 3 Foot Jacketed or Armored Cable Standard
- ◆ Custom Lead Lengths Available Upon Request ◆ Mounting Hardware Included
 - ◆ Built-in E.O.L. Resistors and Diodes Upon Request
 - ◆ Supervisory Loops Upon Request
- ◆ Armored Disconnect Cable Available See Specialty Section
 - ◆ Available With PVC Coated Stainless Cable
 - ◆ Available in Gray ◆ Lifetime Warranty



4714-JC



4704-A



4714-A

APPLICATIONS:

The G.R.I. 4704/4714 Series has been designed for the problem security application where the free movement of the object in question would make it impossible to utilize a standard magnetic proximity device. The 4704-A consists of three major parts — an actuating magnet housing, the switch probe and the probe receptacle. The 4704-A can be used in place of standard surface mount switches to protect badly worn or ill fitting roll up doors, swinging gates or expanding metal curtains. Also excellent for vehicle protection to prevent unauthorized movement, operation or theft of any mobile object that can be towed, driven or otherwise moved such as tractor truck trailers, motor boats or recreation vehicles.

The new G.R.I. 4714 Series Heavy Duty Pull Apart switch set has the same features and options as our 4704 Series. The switch has been moved into the mounted side of the unit which will stop breakage and improve durability. The actuation magnet is now in the probe along with a supervisory loop. The supervisory loop which consists of 2 conductor wire, is placed through 1/4" armored cable or woven through the links of a 3/16" chain. Both options are available in custom lead and supervisory loop lengths.

The G.R.I. 4704 and 4714 Series Pull Apart Switch Sets are designed to protect any equipment, merchandise or object that is stored where it is impossible to secure utilizing conventional devices, such as outside. Examples would be golf carts, tires, lawn equipment, motorcycles and ATV's, rental equipment.

GEORGE RISK INDUSTRIES, INC.
G.R.I. PLAZA
KIMBALL, NE 69145

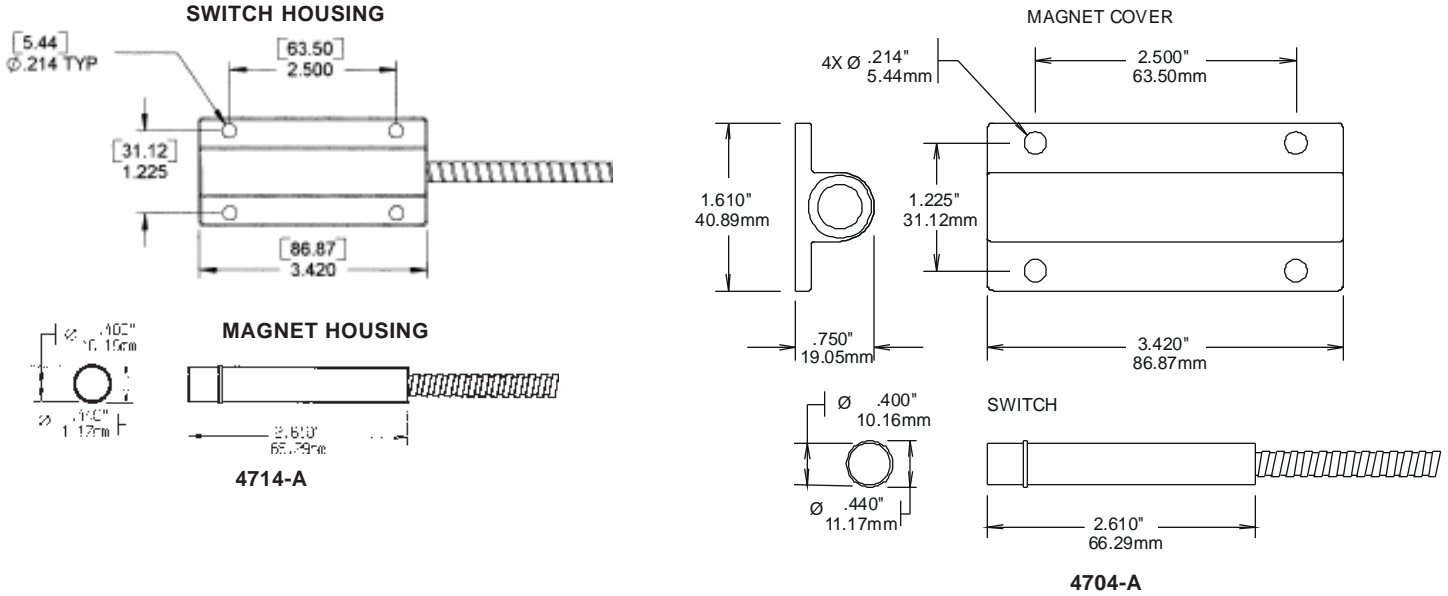


MADE IN U.S.A.

TOLL-FREE 1-800-445-5218
TOLL-FREE 1-800-523-1227
(308) 235-4645
FAX (308) 235-3561
E-MAIL: grisales@megavision.com
WEB SITE: www.grisk.com



SPECIAL PURPOSE PULL APART SWITCH SET



PART NUMBERS

	SPDT
Jacketed Cable	4704 4714
Jacketed Cable w/Chain	4714-JC
Armored Cable	4704-A 4714-A

GRI products meet or exceed these minimum general specifications:

PART NUMBER	LOOP TYPE	ELECTRICAL CONFIG.	REED FORM	MAXIMUM INITIAL CONTACT RESISTANCE (Ω)	MAXIMUM CONTACT RATING (W)	MAXIMUM SWITCHING VOLTAGE (VDC)	MAXIMUM SWITCHING CURRENT (A)
4704	Open/Closed	SPDT	C	.140	5	175VDC	.250
4704-A	Open/Closed	SPDT	C	.140	5	175VDC	.250
4714	Open/Closed	SPDT	C	.140	5	175VDC	.250
4714-A	Open/Closed	SPDT	C	.140	5	175VDC	.250
4714-JC	Open/Closed	SPDT	C	.140	5	175VDC	.250

WARRANTY:

Lifetime warranty against workmanship, material and factory defects.

CONTACT YOUR G.R.I. DISTRIBUTOR OR CALL:

GEORGE RISK INDUSTRIES, INC.
G.R.I. PLAZA
KIMBALL, NE 69145



MADE IN U.S.A.

TOLL-FREE 1-800-445-5218
TOLL-FREE 1-800-523-1227
(308) 235-4645

FAX (308) 235-3561

E-MAIL: grisales@megavision.com

WEB SITE: www.grisk.com